

LogiLink®

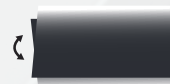
Full Motion Monitor Desk Mount

For 17"-32" Flat/Curved Monitor

Art. No.: BP0108
BP0109



A convenient and useful solution for retail stores that allows sales associates to interact with shoppers easily. Also, great for restaurants, offices, libraries and more.



Tilt



Swivel



Rotation



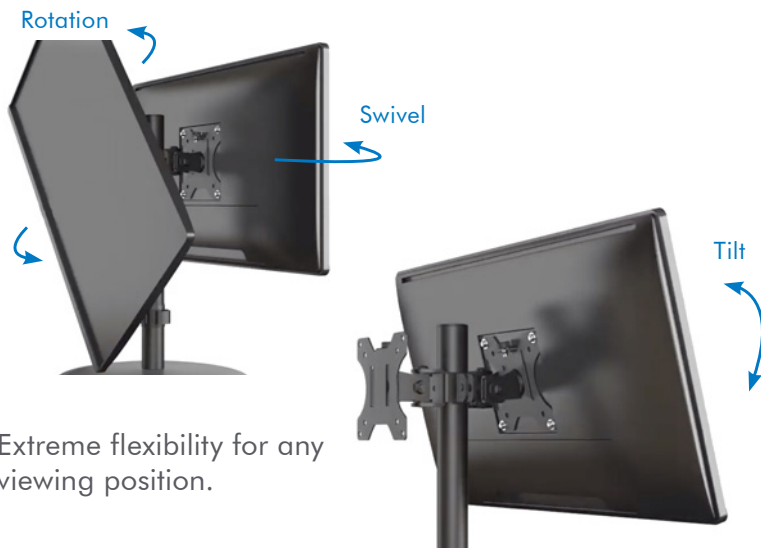
*The specifications and pictures are subject to change without prior notice.
*All trade names referenced are the registered trademarks of their respective owners.

LogiLink®

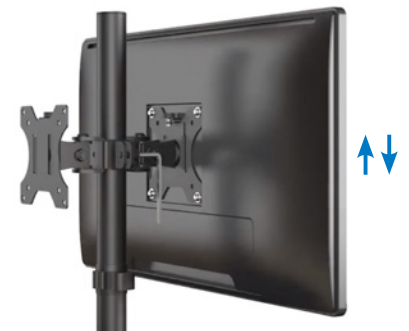
Full Motion Monitor Desk Mount

For 17"-32" Flat/Curved Monitor

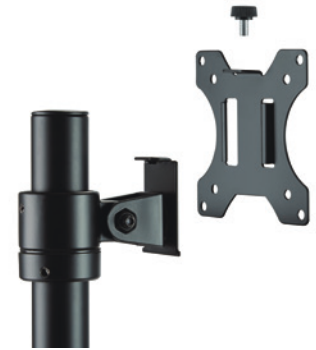
Art. No.: BP0108
BP0109



Extreme flexibility for any viewing position.



Smooth height adjustment for helping create ideal viewing experiences.



Detachable VESA Plate for easy installation.



Grommet Mount



Bolt-Down Base Installation



Cable Management



*The specifications and pictures are subject to change without prior notice.
*All trade names referenced are the registered trademarks of their respective owners.

Best Connectivity



Specifications:

Best Connectivity



BP0108



BP0109

Screen Size	17"-32" flat/curved Monitors	17"-32" flat/curved Monitors
Monitor Quantity	1	2
Weight Capacity	8kg	8kg each
VESA Plate Compatible	75x75, 100x100	75x75, 100x100
Tilt	-15°~15°	-15°~15°
Swivel	-180°~180°	-15°~15°
Rotation	-180°~180°	-180°~180°
Pole Height	399mm	399mm
Arm Extension	36mm	52mm
Clamp Thickness	10-75mm	10-75mm
Material	Steel, Plastic	Steel, Plastic
Color	Black	Black
Dimensions	114 x 126 x 462mm	114 x 179 x 462mm
EAN Code	4052792060157	4052792060164



*The specifications and pictures are subject to change without prior notice.
 *All trade names referenced are the registered trademarks of their respective owners.

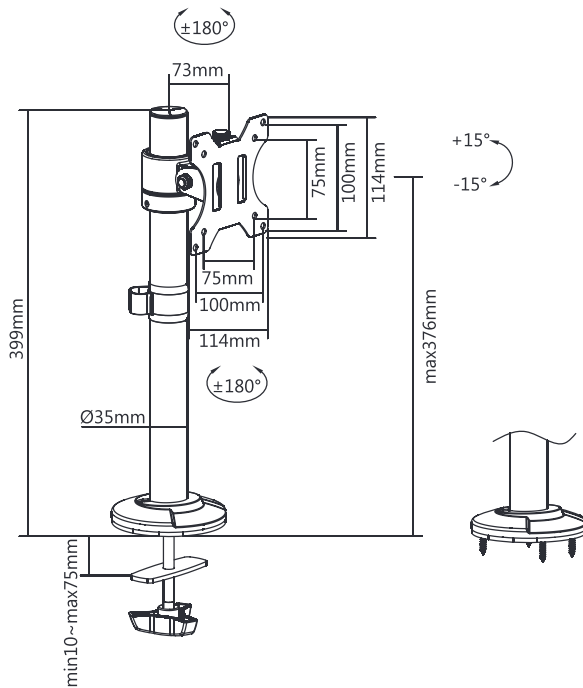
LogiLink®

Full Motion Monitor Desk Mount For 17"-32" Flat/Curved Monitor

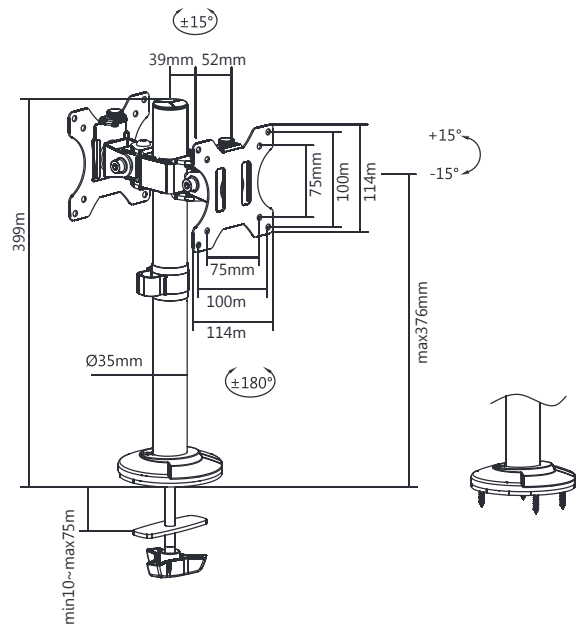
Art. No.: BP0108
BP0109



BP0108



BP0109



Package Contents:

- » 1 x Monitor Desk Mount
- » 1 x Screw Package
- » 1 x User Manual



Package Information:

Art-No.	Packing Dimension	Packing Weight	Carton Dimension	Carton Q'ty	Carton Weight
BP0108	440 x 210 x 75mm	2kg	455 x 440 x 320mm	8pcs	16.9kg
BP0109	440 x 210 x 75mm	2.6kg	455 x 440 x 320mm	8pcs	21.7kg



*The specifications and pictures are subject to change without prior notice.
*All trade names referenced are the registered trademarks of their respective owners.