



# LogiLink®

## Electric Fold-Down TV Ceiling Mount with Remote

For 32"-70" Flat/Curved TV

Art. No.: BP0118



### Create a Streamlined Look While Saving Space

Amaze with one press of a button. Save space and store your TV out of view until you're ready to use it. Great for flat or angled surfaces at home or the office.



RoHS  
compliant



\*The specifications and pictures are subject to change without prior notice.  
\*All trade names referenced are the registered trademarks of their respective owners.



Made in China

# LogiLink®

## Electric Fold-Down TV Ceiling Mount with Remote

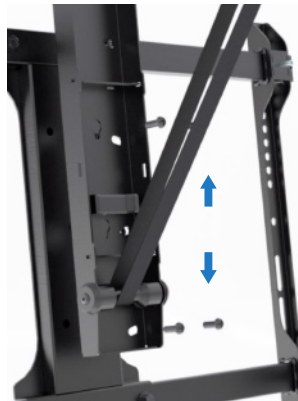
For 32"-70" Flat/Curved TV

Art. No.: BP0118



### Well-Balanced & Powerful Motor

An extremely stable and durable mechanism that prevents shaking, resulting in smooth and fluid movements.



### Keyhole Design

Easily adjust for the desired height before mounting the TV.



Tilt  
-75°~0°

### Wireless Remote Control

Control viewing angles & easily store your TV with a push of a button; remote control comes with programable memory settings.



### High-Strength Steel Construction with Stability Legs

For TVs up to 70" or a maximum load of 35kgs; legs provide added stability and safety during retraction.



flat surface



angled surface



RoHS  
compliant



\*The specifications and pictures are subject to change without prior notice.  
\*All trade names referenced are the registered trademarks of their respective owners.



Made in China

Best Connectivity

# LogiLink®

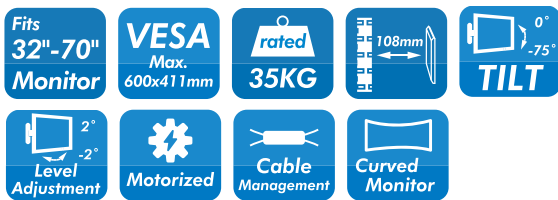
## Electric Fold-Down TV Ceiling Mount with Remote For 32"-70" Flat/Curved TV

Art. No.: BP0118



### Specifications:

Screen Size	32"-70"
Material	Steel, Plastic
Rated Load	Up to 35kg
VESA Compatible	200x100, 200x200, 200x400, 300x200, 300x300, 400x200, 400x300, 400x400, 600x400, 600x411
Wall Clearance	108mm
Tilt	-75°~0°
Screen Level	-2°~2°
Power Input	AC 100-240V, 50/60Hz
Power Output	DC 24V, 1.5A
Power Cable Length	1.5m
Controller Type	Radio Frequency (RF) Remote
Color	Black
Dimensions	660 x 516 x 155mm

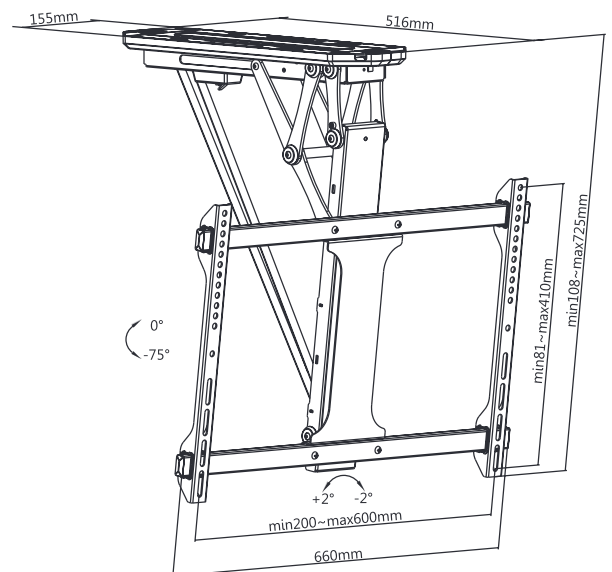


### Package Contents:

- » 1 x TV Ceiling Mount
- » 1 x Remote Control
- » 1 x Screw Package
- » 1 x User Manual

### Package Information:

- » Packing Dimension: mm
- » Packing Weight: kg
- » Carton Dimension: mm
- » Carton Q'ty: pcs
- » Carton Weight: kg



\*The specifications and pictures are subject to change without prior notice.  
\*All trade names referenced are the registered trademarks of their respective owners.



Made in China