

MS560

Digital Projector



Features

- 5G Crystal Glass Lenses for Pure Clarity
- 4,000 ANSI Lumen High Brightness for Stunning Presentations
- 20,000:1 High Native Contrast for Crisp Readability
- 1.1x Zoom Ratio for High Setup Flexibility
- Simple Setup, Intuitive Operation, and Hassle-Free Maintenance
- Dual HDMI Inputs & Eco-Friendly Low Total Cost of Ownership
- BenQ Exclusive Picture Mode For Spreadsheet Contents



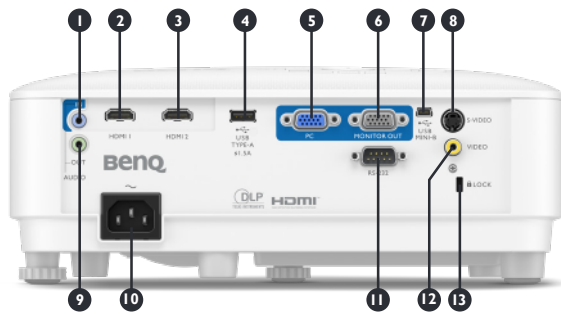
Product Specifications

| | |
|---------------------------------------|--|
| Projection System | DLP Single |
| DMD Type | 0.55" SVGA |
| Native Resolution | 800 x 600 pixels |
| Brightness | 4,000 ANSI Lumens |
| Contrast Ratio* | 20,000 : 1 |
| Display Color | 30 Bits / 1.07 Billion Colors |
| Aspect Ratio | Native 4:3 (5 aspect ratio selectable) |
| Light Source | Lamp |
| Light Source life** | Normal 6,000 hr / Economic 10,000 hr / SmartEco 10,000 hr / LampSave 15,000 hr |
| Throw Ratio | 1.96~2.15 |
| Zoom Ratio | 1.1 x |
| Keystone Correction | Auto ID, Vertical +/- 40 degrees |
| Projection Offset | 110.0% |
| Projection Size | 60"~150" |
| Built-in Speaker | 10W x 1 |
| Security | Security Bar, Kensington lock |
| Feature | 1D Auto Keystone, High Brightness, Spreadsheet mode, Bright Mode, Presentation Mode, Infographic Mode, Video Mode, Srgb Mode |
| Resolution Support | VGA (640 x 480) to WUXGA_RB (1920 x 1200) |
| Horizontal Frequency | 15K~102KHz |
| Vertical Scan Rate | 23~120 Hz |
| HDTV Compatibility | 480i, 480p, 576i, 567p, 720p, 1080i, 1080p |
| Video Compatibility | NTSC, PAL, SECAM, SDTV (480i/576i), EDTV (480p/576p), HDTV (720p, 1080i/p 60Hz) |
| Power Consumption | Max 280W / Normal 260W / Eco 215W |
| Standby Power Consumption | Normal < 0.5W |
| Power Supply | 100 ~ 240V AC |
| Product Dimensions (W x H x D) | 296 x 120 x 221 mm |
| Product Weight | 2.3kg +/- 200g |
| Noise Level (Normal / Eco) | 34 / 29 dBA |
| Operating Temperature | 0 ~ 40°C |
| Accessories (Standard) | Quick Start Guide (4JJND01.001) Remote Control (5JJND06.001) AAA Battery x 2 VGA Cable (1.5m) Power Cord (1.8m) Warranty Card (by Region) |
| Accessories (Optional) | Spare Lamp Kit (5JJND05.001) 3D Glasses (5JJ9H25.002) Ceiling Mount Qcast Mirror (5AJH328.10X) WDC10 WDC20 |
| On Screen Display Language | Arabic / Bulgarian / Croatian / Czech / Danish / Dutch / English / Finnish / French / German / Greek / Hindi / Hungarian / Italian / Indonesian / Japanese / Korean / Norwegian / Polish / Portuguese / Romanian / Russian / Simplified Chinese / Spanish / Swedish / Turkish / Thai / Traditional Chinese / Farsi / Vietnamese (30 Languages) |

* The Contrast is measure by Full On Full Off standard.

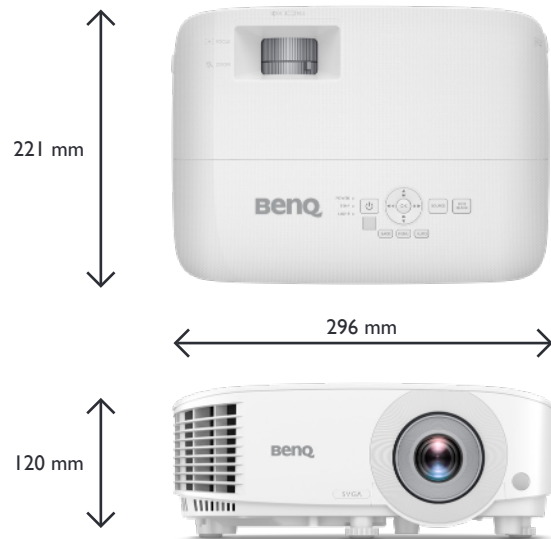
**Light Source life results will vary depending on environmental conditions and usage. Actual product's features and specifications are subject to change without notice.

Input and Output Terminals



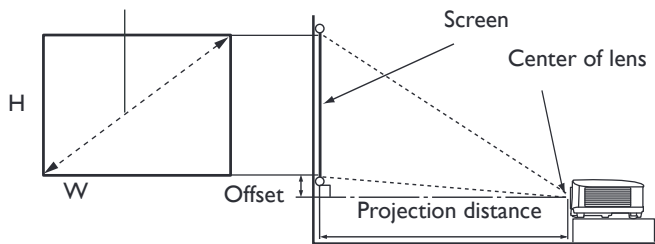
- ❶ Audio Input (mini jack)
- ❷ HDMI-1
- ❸ HDMI-2
- ❹ USB Type A (1.5A power)
- ❺ Computer Input (D-sub 15pin, Female)
- ❻ Monitor Output (D-sub 15pin, Female)
- ❼ USB Type mini B (For FW upgrade)
- ❽ S-Video
- ❾ Audio Output (mini jack)
- ❿ AC Power cord inlet
- ⓫ RS232 Input (D-sub 9pin, male)
- ⓬ Composite Video (RCA)
- ⓭ Kensington anti-theft lock slot

Dimensions



Distance Chart

4:3 Screen diagonal

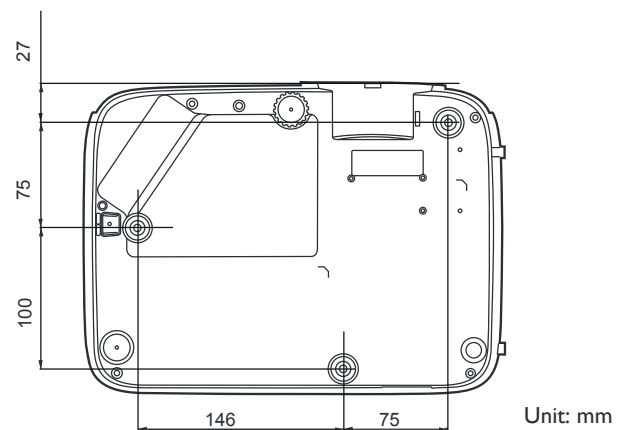


The screen aspect ratio is 4:3 and the projected picture is in a 4:3 aspect ratio

| Screen size | | | | Distance from screen (mm) | | | Offset (mm) |
|-------------|------|------|------|---------------------------|---------|--------------------------|-------------|
| Diagonal | | H | W | Min distance (max. zoom) | Average | Max distance (min. zoom) | |
| inch | mm | (mm) | (mm) | | | | |
| 30 | 762 | 457 | 610 | 1195 | 1253 | 1311 | 45 |
| 40 | 1016 | 610 | 813 | 1593 | 1670 | 1748 | 61 |
| 50 | 1270 | 762 | 1016 | 1991 | 2088 | 2184 | 76 |
| 60 | 1524 | 914 | 1219 | 2390 | 2505 | 2621 | 91 |
| 70 | 1778 | 1067 | 1422 | 2788 | 2923 | 3058 | 107 |
| 80 | 2032 | 1219 | 1626 | 3186 | 3341 | 3495 | 122 |
| 90 | 2286 | 1372 | 1829 | 3584 | 3758 | 3932 | 137 |
| 100 | 2540 | 1524 | 2032 | 3983 | 4176 | 4369 | 152 |
| 110 | 2794 | 1676 | 2235 | 4381 | 4593 | 4806 | 168 |
| 120 | 3048 | 1829 | 2438 | 4779 | 5011 | 5243 | 183 |
| 130 | 3302 | 1981 | 2642 | 5178 | 5428 | 5679 | 198 |
| 140 | 3556 | 2134 | 2845 | 5576 | 5846 | 6116 | 213 |
| 150 | 3810 | 2286 | 3048 | 5974 | 6264 | 6553 | 229 |
| 160 | 4064 | 2438 | 3251 | 6372 | 6681 | 6990 | 244 |
| 170 | 4318 | 2591 | 3454 | 6771 | 7099 | 7427 | 259 |
| 180 | 4572 | 2743 | 3658 | 7169 | 7516 | 7864 | 274 |
| 190 | 4826 | 2896 | 3861 | 7567 | 7934 | 8301 | 290 |
| 200 | 5080 | 3048 | 4064 | 7965 | 8352 | 8738 | 305 |
| 250 | 6350 | 3810 | 5080 | 9957 | 10439 | 10922 | 381 |
| 300 | 7620 | 4572 | 6096 | 11948 | 12527 | 13106 | 457 |

Ceiling Mount Chart

Ceiling/Wall mount screw: M4
(Max L = 25 mm; Min L = 20 mm)



BenQ Europe B.V.

Meerenakkerweg 1-17
5652 AR Eindhoven
The Netherlands
Tel: +31 88 8889200
Fax: +31 88 8889299

BenQ.eu

© 2020 BenQ Corp. Specification may vary by region, please visit your local stores for details.
Actual product's features and specifications are subject to change without notice.
This material may include corporate names and trademarks of third parties which are the properties of the third parties respectively.

