

Safety instructions

Please read the following before using the product:

- Use only approved mains plug supported in your country or region
- Detach mains plug from socket to ensure complete disconnection from the power supply
- If device will not be in use for over a week, please detach the mains plug from socket

Technical Specifications

Creative SBS E2900

Bluetooth® Version: Bluetooth® 5.0

Operating Frequency: 2402 - 2480 MHz

Operating Range: Up to 10 meters

Supported Bluetooth® Profiles: A2DP (Wireless Stereo Bluetooth®), AVRCP (Bluetooth® Remote Control)

Supported Codec: SBC

Supported Audio Formats (USB Mass Storage Devices / SD Cards*): MP3

Input: 110V - 230V ~ 50 / 60 Hz 700mA

Speaker Power:

- 15W RMS per channel (2 channels)
- 30W RMS subwoofer
- Total: 60W
- Peak: 120W

Frequency Response: 50 Hz ~ 20 KHz

SNR: ≥ 75 dB

FM Radio Scanning Frequency: 87.5 MHz - 108 MHz

*Supports up to 32GB (max) FAT16 and FAT32

*Does not support SDXC memory cards

Important Notice

The serial number for your **Creative SBS E2900** is located on the subwoofer. Please write this number down and keep it in a secure place.

CREATIVE®



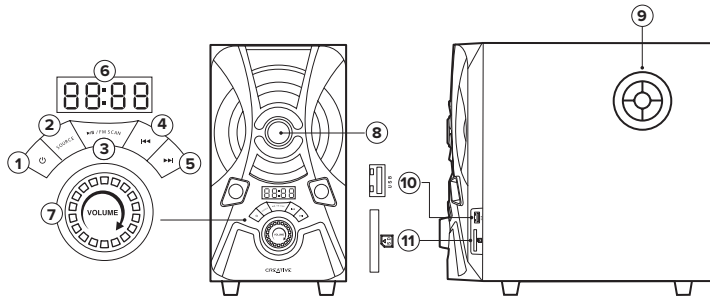
SBS E2900

Quick Start Guide

© 2019 Creative Technology Ltd. All rights reserved. Creative and the Creative Logo are trademarks or registered trademarks of Creative Technology Ltd in the United States and/or other countries. SD logo is a trademark of SD-3C, LLC. All other trademarks are the property of their respective owners and are hereby recognized as such. All specifications are subject to change without notice. Actual contents may differ slightly from those pictured. Use of this product is subject to a limited warranty.

Model No. MF0490
P/N : 03MF049000000 Rev A

Product Overview



- | | | |
|--|------------------------|---------------------------|
| 1) Power Button | 7) Volume Control Knob | 13) Aux-in / DVD-in Ports |
| 2) SOURCE Button | 8) LED Lights | 14) Left Satellite |
| 3) FM SCAN Button | 9) Subwoofer Port Tube | 15) Right Satellite |
| 4) Previous track / Previous FM station button | 10) USB Port | 16) AC Power Port |
| 5) Next track / Next FM station button | 11) SD Card Slot | 17) FM Antenna |
| 6) LED Display | 12) FM Antenna Port | |

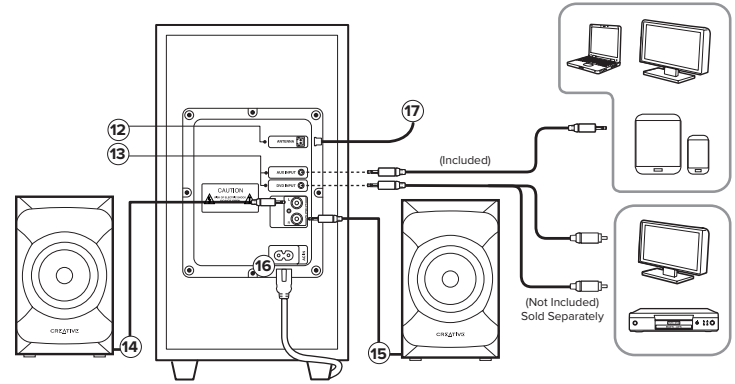
To Power ON/OFF Speaker

- Speaker is in "Standby" mode when power supply is switched on and the LED Display shows " _ _ _ _ ". Exit "Standby" mode to turn the speaker on by pressing the " " button. Press and hold " " button to enter "Standby" mode again.

To Switch between Sources

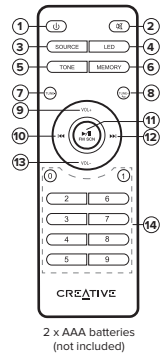
- Press "**SOURCE**" button to switch sources. Cycle through "**BT / AUX / DVD / USB / SD Card / FM**" input modes with each press of a button. ("**bt**" stands for Bluetooth connectivity; "**AU**" stands for AUX input; "**DUD**" stands for DVD input; "**Ub**" stands for USB; "**Sd**" stands for SD Card input; "**F** and **87.5**" stands for FM radio mode.)

Button	Action	Inputs			
		AUX Input	Bluetooth	USB/SD Input	FM Tuner
	Press	—	Track Selection Previous / Next	Track Selection Previous / Next	Channel Selection Previous / Next
	Press	Mute	Play / Pause	Play / Pause	Mute
	Press and hold	—	To initiate Bluetooth Pairing	—	Automatic Search for FM Radio Stations



Infrared Remote Control

- | | |
|---|---|
| 1) Power On / Standby Mode | 8) Tuning+ : For FM Radio's use and to toggle between repeat ALL, repeat once, OFF for USB flash and SD card playback |
| 2) Mute : Press once to turn volume off. Press once again to turn volume on. | 9) Volume+ : + Volume level |
| 3) Source : Press to cycle through sources - BT / AUX / DVD / USB / SD Card / FM | 10) Previous Track / FM station |
| 4) LED : Press to toggle between Red / Blue / Purple color presets | 11) Play / Pause / FM Auto Scan |
| 5) Tone : Press to adjust Bass & Treble settings by using VOL +/- buttons. Bass & Treble levels: -6 (min) – +6 (max) | 12) Next Track / FM Station |
| 6) Memory : Press to save favorite FM radio stations after manual FM tuning | 13) Volume- : - Volume level |
| 7) Tuning- : For FM Radio's use only | 14) 0 - 9 Numeric Keypad : Use the keypad to select desired track or stored FM radio stations. Press the button to play selected track / FM station |



- In FM mode, press and hold " " to automatically search for FM radio stations.
- Press "TUNING+/-" to manually search for FM radio stations step-by-step (each step = 0.1 MHz). Press and hold "TUNING+/-" to search for next available channel. Once found, the FM radio station will automatically play. To save the FM channel, press on Memory button. Press " " or " " to toggle between saved FM radio stations.
- In USB and SD Card modes, press "TUNING+" to cycle through repeat mode - Repeat All / Repeat Once / Repeat Off.
- In Bluetooth mode, voice and front-LED Display cues will prompt to initiate Bluetooth Pairing. By default, the system will search for last paired device (if available) while still remaining discoverable as long as the speaker system is not connected to any Bluetooth device.