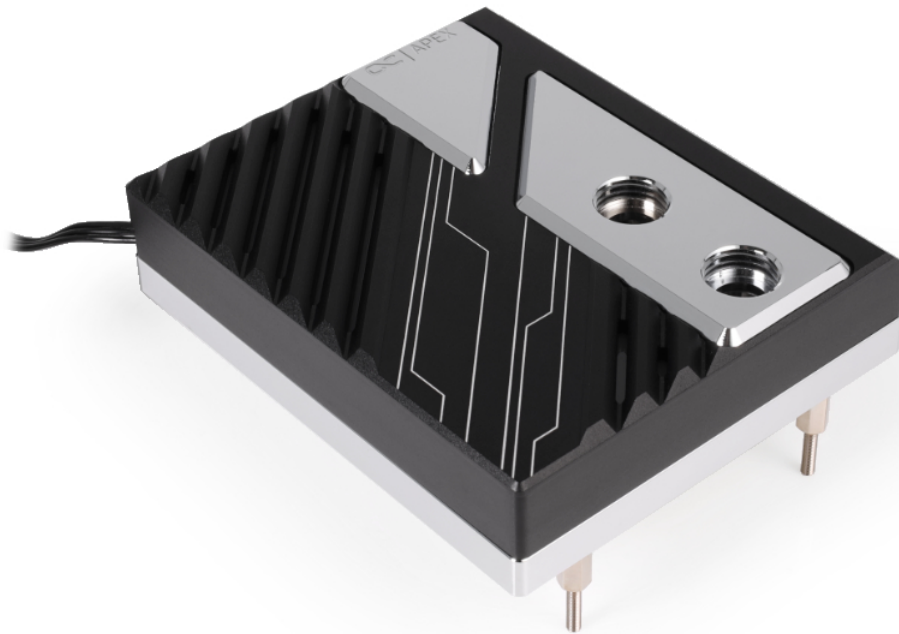


## Alphacool Apex 1 CPU cooler AM5

Alphacool article number: 13893



### Quick Info

The Alphacool Apex series represents maximum cooling performance, exceptional design, and premium material selection for high-end custom water cooling systems. The Alphacool Apex 1 is the first CPU water block in the Apex series and combines all its unique features in a robust CPU cooler.

- New improved jetplate
- Processors hotspot optimized
- Fast and Easy installation
- Beautiful aRGB illumination

### Compatibility

**AMD:** AM5

## Scope of delivery

1x Thermal Grease	4x M5 Flag nut
1x Putty tool	1x ARGB Adapter
1x Apex 1 AM5	2x Spare Distance Bolt

## Technical data

Dimensions (L x W x H)	100,00 x 86,00 x 32,30mm
Cooler material	Nickel-plated copper
Material cooler top	Aluminium
Material threads	Nickel-plated Brass
Threads	2 x G1/4"
Fin thickness	0,4mm
Fin distance	0,4mm
Maximum operating temperature	60 °C
Weight	995g
Color	Black   Accent: Chrome

## Download links

Manual	<a href="#">13893_Alphacool_Apex_1_CPU_cooler_AM5_Manual.pdf</a>
Product pictures	<a href="#">13893_Alphacool_Apex_1_CPU_cooler_AM5_pics.zip</a>
EU-DoC / CE / RoHS	<a href="#">Alphacool_EuDoc_CE_RoHS_13893.pdf</a>

## Packaging dimensions per unit

L x W x H	255 x 175 x 75 mm
Weight	1160 g

## Other data

Certificates	CE, FC, RoHS
EAN	4250197138932
Customs code	84195080900
Guarantee	5 years

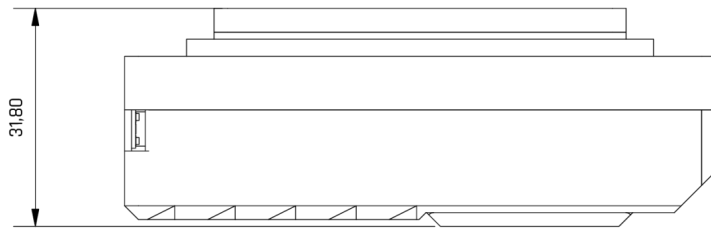
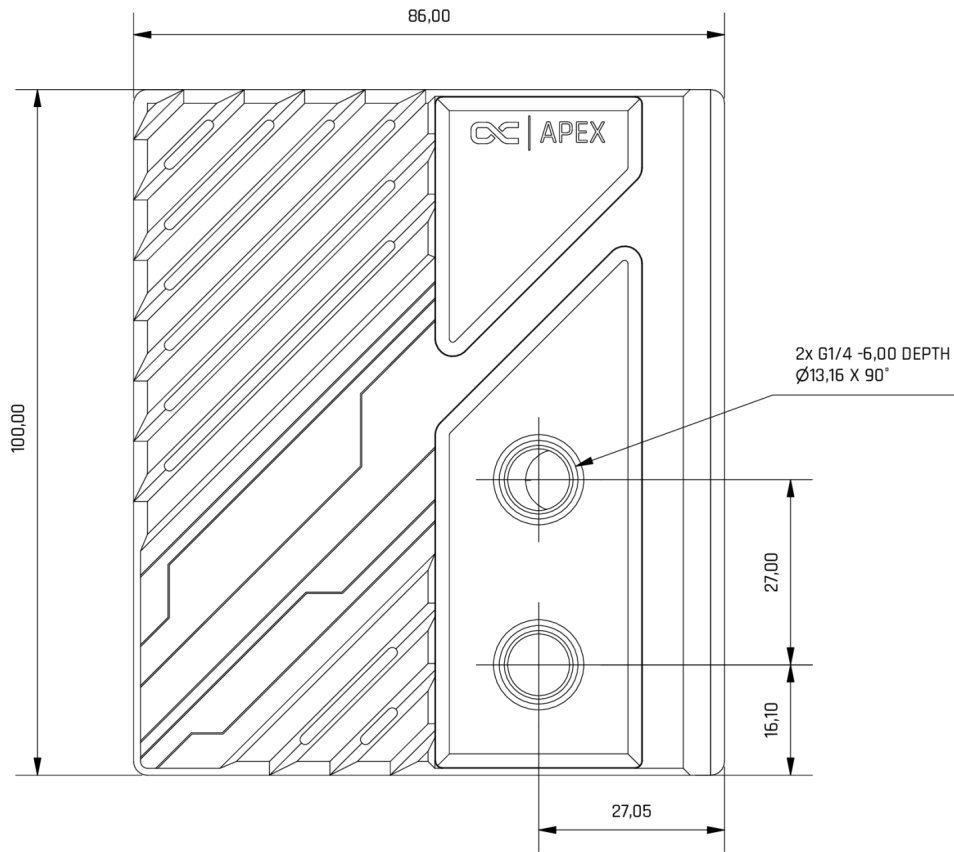
The Alphacool Apex series represents maximum cooling performance, exceptional design, and premium material selection for high-end custom water cooling systems. The Alphacool Apex 1 is the first CPU water block in the Apex series and combines all its unique features in a robust CPU cooler.

For the AMD AM5 version of the Apex 1 CPU cooler, Alphacool utilizes an offset cooler base that does not sit centrally on the CPU. This design ensures that the water injection is positioned directly over the CPU's hotspot, resulting in optimal cooling performance. Alphacool relies on its proven cross-slot technology and introduces the 3D Jetplate 2.0, an evolution of the original 3D Jetplate. The improved design of the Jetplate creates higher water pressure. Additionally, a pre-chamber located before the 3D Jetplate 2.0 calms the incoming water and evenly distributes it across the Jetplate and the cooling fins beneath the cooler base.

The lower part of the Apex 1 CPU cooler is crafted from a solid block of copper. The connection section is made from brass, and both components are precisely CNC-machined from their respective material blocks. The cooler is assembled with an aluminum cover that nearly encloses the entire unit. Fine Apex design elements on the top surface allow the uniform illumination of the aRGB lighting to shine through. Moreover, an additional lighting element on the right side of the cooler emits a diffused glow towards the RAM slots.

The Apex 1's cooling block is specifically designed to cover both the CPU socket and the mounting holes, giving it a sleek and seamless appearance. Despite this sophisticated design, installation remains straightforward: the cooler is positioned on the top of the motherboard while the backplate is secured from underneath using screws.

Figure (1)



aRGB Connection



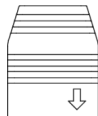
VCC 5V DC  
DATA  
GND

aRGB Socket



GND  
DATA  
VCC 5V DC

aRGB Connection



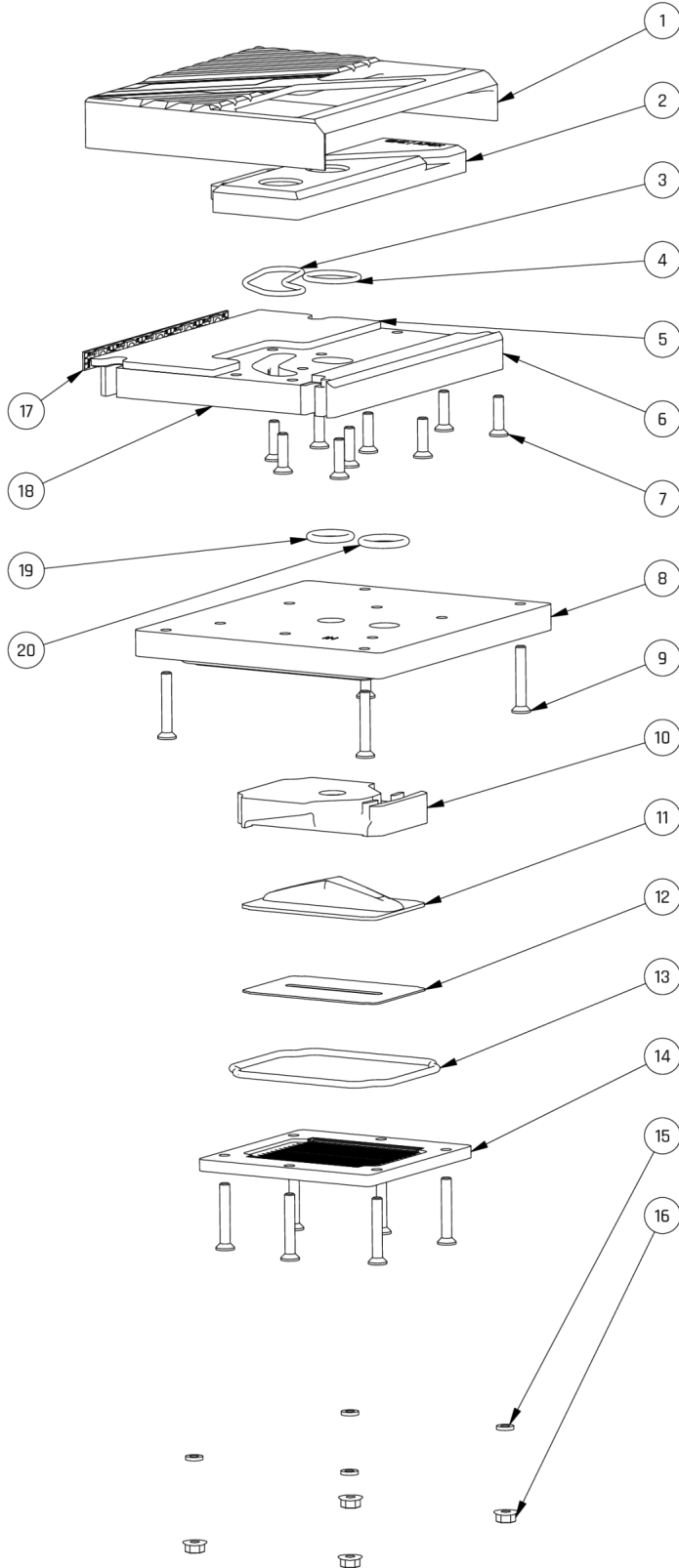
GND  
DATA  
VCC 5V DC

General tolerance:  $\pm 0,25$ mm  
Dimension in millimeter

# Figure (2)

**Mechanical properties:**

LED quantity and length	5pc. / L = 83,0mm	Minimum temperature t min =	-20°C	Maximum torque of G thread M max =	G1/4 = 1,0Nm
LED Voltage V =	5 V	Working temperature t =	20°C	<small>ISO 228-1 Parallel Whitworth pipe thread BSPP (GB)</small>	
LED Ampere A =	0,06 A	Maximum temperature t max =	60°C	Maximum torque of M thread	M max = M2X0,4 = 0,13Nm
LED Power W =	1,5 W	Working pressure p =	0,0 - 1,0Bar	M thread	M2,5X0,45 = 0,27Nm
		Maximum pressure p max =	2,0Bar	<small>DIN 13-1 Metric ISO standard thread</small>	
					M3X0,5 = 0,48Nm
					M4X0,7 = 1,12Nm



1025094 13893

Alphacool Apex 1 CPU Kühler AM5 V4

Parts List

Item	Quantity	Part Number	Description
1	1	1025094 13893 4	Apex 1 Cpu Kühler Faceplate AM5
2	1	1025094 13893 2	Apex 1 AM5 Connection brass
3	1	1025094 13893 6	Apex 1 AM5 ORing 32x1,5 VMQ70
4	1	1025094 13893 5	Apex 1 AM5 ORing 14x1,5 VMQ70
5	1	1025094 13893 3.2	Apex 1 AM5 Pmma
6	1	1025094 13893 3.1	Apex 1 AM5 Pmma
7	9	ISO 10642	M3 x 12
8	1	1025094 13893 1	Apex 1 AM5 Brass Base
9	10	ISO 10642	M3 x 20
10	1	1024572 13851 21	Apex 1 Rubberinlay
11	1	1024572 13851 23	Apex 1 LGA 1700 V4 Jetplate PPS
12	1	1024572 13851 24	Jet sealing Engine Rebuild
13	1	1023311 13443 2	Core 1 ORing 55 x 2 NBR 70
14	1	1024572 13851 15	Apex 1 LGA 1700 Copperplate V4 Rebuild Small
15	4	1024572 13851 25	ISO 7089-3
16	4	1025094 13893 8	AM5 Mounting Nuts
17	1	1024572 13851 16	Led Strip
18	1	1025094 13893 3	Apex 1 AM5 Pmma
19	1	1024572 13851 7	Apex 1 ORing 10x2 VMQ 70
20	1	1024572 13851 8	Apex 1 ORing 11x2 VMQ 70