

Liquid Freezer II 120



Multi Compatible All-In-One CPU Water Cooler



- Compatible with Intel & AMD Sockets
- In-House Developed PWM Controlled Pump
- High Performance allows Overclocking
- Motherboard VRM Cooling Solution
- Pressure Optimised Fan
- Fully Sleeved Tubes
- Integrated Cable Management
- Maintenance-free Water Loop
- Secure Hold with Backplate



At ARCTIC, we are proud of our completely new all-in-one CPU water cooler series. For the Liquid Freezer II Series, we have used our experience in CPU water cooling to develop a completely new compact water cooling pump. The new pump of the Liquid Freezer II Series ensures an ideal ratio of high CPU cooling performance to low noise levels.

The CPU AiO water cooler has integrated cable management within fully sleeved tubes for a clean look in your PC's case. Our powerful P-fans provide a fast heat transfer thanks to their high static pressure and outstanding performance.

Specifications

Pump/Cold Plate	
VRM Fan	40mm, 1000 - 3000 RPM (Controlled by PWM)
Pump	800 - 2000 RPM (Controlled by PWM)
Power Consumption	0.5 W - 2.7 W (Pump and VRM Fan)
Cold Plate	Copper, Micro Skived Fin
Tube Length	350mm
Tube Diameter	Outer: 12.4mm Inner: 6.0mm
Dimensions (w/o tubes)	98mm x 78mm x 53mm

Fan	
Fan	ARCTIC P12 - 120mm fan
Fanspeed	200 - 1800 RPM (Controlled via PWM)
Airflow	56.3 CFM
Static Pressure	2.2mm H ₂ O
Current/Voltage	0.08 A/12 V DC
Bearing	Fluid Dynamic Bearing
Noise Level	0.3 Sone
Connector	4-pin-Connector
Dimensions	120 x 120 x 25 mm

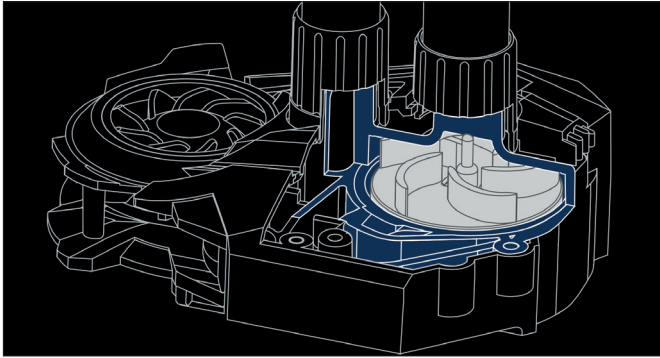
General	
Socket Compatibility	Intel™ 115X, 2011-3*, 2066* AMD™ AM4 *Square ILM
Thermal Compound	MX-4 (0.8g)
Total Weight	932 g (Fan, Radiator, Pump, Tubes)

Radiator	
Material	Aluminium
Dimensions	157 x 120 x 38mm

Liquid Freezer II 120

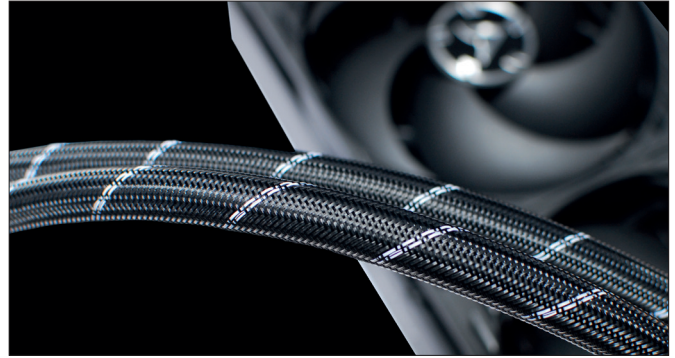


Multi Compatible All-In-One CPU Water Cooler



Newly Developed PWM-Controlled Pump

The Liquid Freezer II Series features an all-new, in-house developed PWM-controlled pump with a copper base, improved efficiency, low power usage and quiet operation.



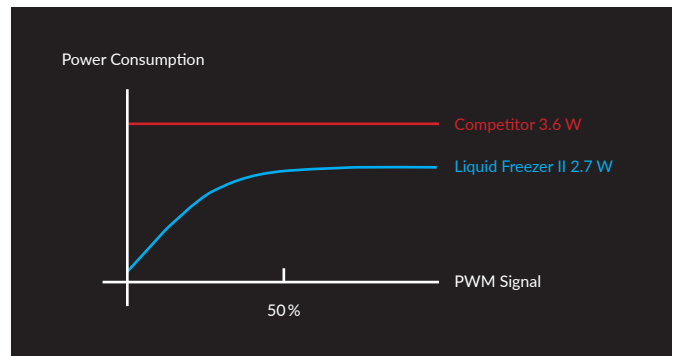
Maintenance-free Water Loop

Because the Liquid Freezer II Series' water loop is sealed, there is never a need to refill water or additives.



Motherboard VRM Cooling Fan

An additional 40 mm fan next to the pump helps to cool the motherboard's VRM chips. This prevents overheating, especially when overclocking, and allows for continuous heavy loads.



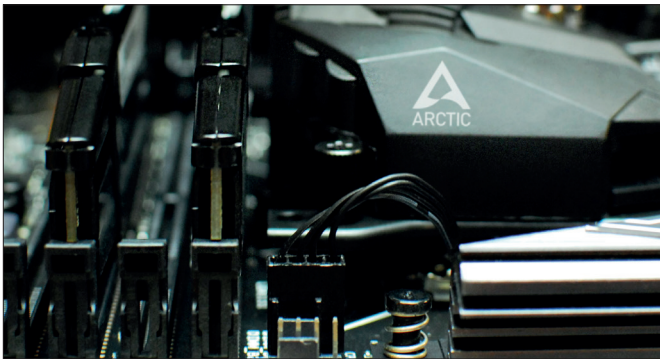
Improved Power Efficiency

Unlike most pumps from our competitors, which run at full load even when idle, our pump clocks down if no cooling is needed. This means it consumes less power and produces less noise, even with its additional fan for VRM cooling.

Liquid Freezer II 120



Multi Compatible All-In-One CPU Water Cooler



Optimal RAM Compatibility

Thanks to its compact pump with dimensions of only 78x98x53 mm, there are almost no restrictions when using RAM modules. Even RAM modules with larger heatsinks can be mounted without issues and will not be blocked by the CPU cooler.

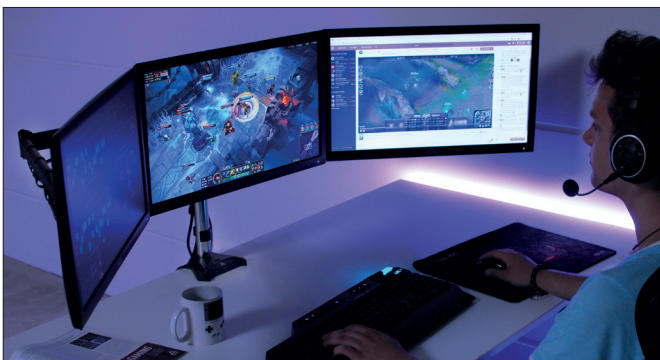


P-fan for Increased Performance

The Liquid Freezer II 120 benefits of all advantages of our new P-fan.

- High static pressure for increased cooling performance
- Broad RPM range
- Lower power consumption
- Less vibrations
- Extended life span
- PWM for synchronous fan/pump control

For additional information, we recommend our FAQ.



Better Cooling – Better Performance

No thermal throttling on your CPU – even at high turbo clock speeds and overclocking, the Liquid Freezer II cools quietly, so you can reach the maximum FPS with minimal noise levels for the smoothest possible gaming experience.



Integrated Cable Management

The PWM-cable of the fan is integrated into the sleeveless tubing. Thus fewer cables are exposed for a clean and sleek look within your case.



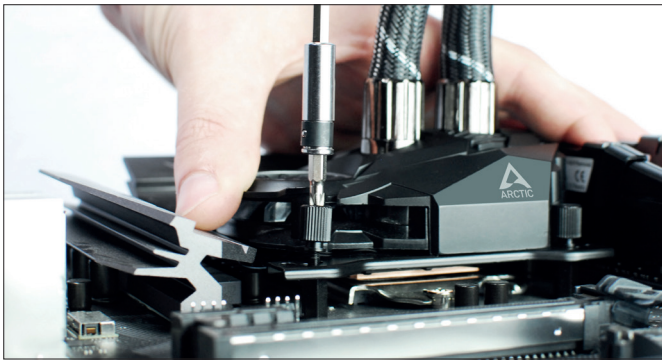
MX-4 Thermal Paste included

The high-performance MX-4 thermal compound is included and ensures the best cooling results.

Liquid Freezer II 120



Multi Compatible All-In-One CPU Water Cooler



Easy Installation & Secure Hold

Fast and easy to install and extremely reliable, the Liquid Freezer II mounting system is compatible with Intel and AMD sockets.



Multilingual Manuals

We offer a regularly updated user manual in many languages conveniently at your fingertips anywhere and anytime. Put the QR code sticker at a place of your convenience and never waste time again looking for product instructions.



Product Information



Manual