



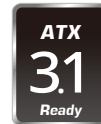
REVOLUTION III

650W / 750W / 850W / 1000W

REVOLUTION III

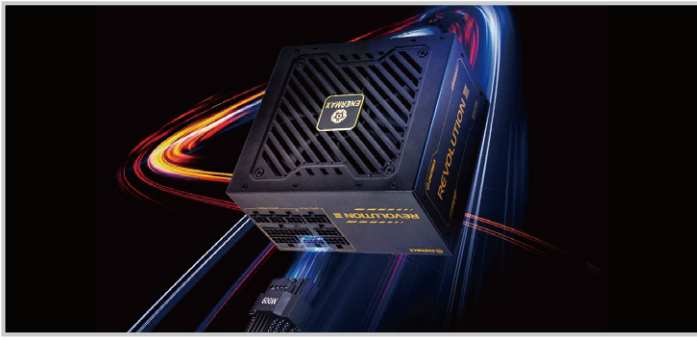


- *Integrated with Intel ATX 3.1*
- *Fully Modular 80 PLUS® Gold Certified*
- *Native 12V-2x6 Cable, Providing the GPU with 450-600W Power*
- *Industrial-Grade 100% Japanese Capacitors*
- *Ultra Quiet 120mm FDB Fan*
- *Mesh-sleeved Cables with 16/21 pcs Cable Comb Kit*



Features

- **Compliance with ATX 3.1**
 - Adherence to the latest Intel ATX 3.1 specification.
 - REVOLUTION III 750W / 850W / 1000W models provide one 600W native 12V- 2x6 connector.
 - REVOLUTION III 650W provides one 450W native 12V-2x6 connector.
- **Excellent Performance Meeting High-end Requirements**
 - 80 PLUS® Gold certified with 93% efficiency at 50% load, which saves more energy and reduces extra heat.
 - Accommodates up to 200% power excursion, catering to high-end GPU requirements.
- **Silent Operation and Enhanced Durability**
 - Incorporates 100% industrial-grade Japanese capacitors, ensuring top-tier reliability.
 - Equipped with a built-in 120mm FDB fan for ultra quiet operation.
- **Optimized Safety Design**
 - Optimized safety design, certified for 5000m altitude.
 - Multiple protection circuitries of OCP, OVP, UVP, OPP, SCP, and OTP.
- **Outstanding User Experience**
 - Modular sockets inclined to one side for better cable managing experience.
 - Mesh-sleeved cables with 21 pcs cable comb kit for 750W / 850W / 1000W models and 16 pcs for 650W model.



ATX 3.1 & PCIe 5.1 Ready



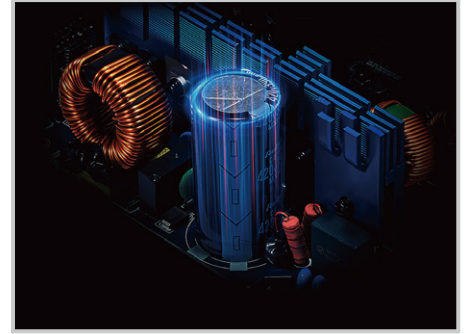
Native 12V-2x6 Connector



Ultra Quiet 120mm FDB Fan



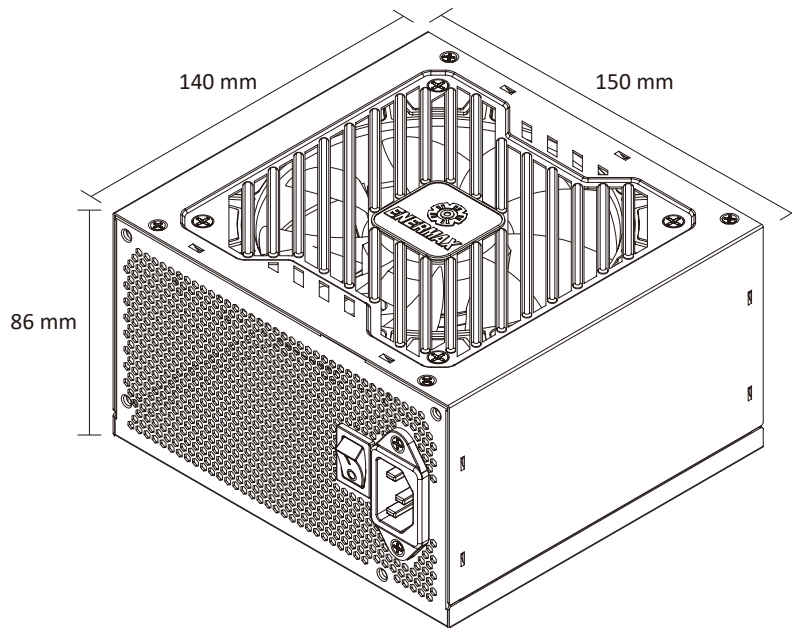
Premium Mesh-Sleeved Cables



100% 105°C Japanese Capacitors

Dimension

Unit : mm



Cables & Connectors

Model	Connectors					
	Mainboard 24P	CPU 4+4P (8P)	12V-2x6 12+4P	PCIe 6+2P (8P)	SATA	4P Molex
650W	1	2	1	2	6	2
750W	1	3	1	3	9	3
850W	1	3	1	3	9	3
1000W	1	2	1	3	9	3

Specifications

General Data

80 PLUS EFFICIENCY	GOLD
MODULAR	Fully Modular
CABLE TYPE	Individually Mesh-Sleeved Cable
FAN SIZE (MM)	120
OPERATING TEMPERATURE (°C)	40
MTBF (HOURS)	>100K
PROTECTION	OCP, OVP, UVP, OPP, OTP, SCP

Power Output

Model	ERV650G-AHG-MAC ERV650G-AHG-MAV	ERV750G-AHG-MAC ERV750G-AHG-MAV	ERV850G-AHG-MAC ERV850G-AHG-MAV	ERV1000G-AHG-MAC ERV1000G-AHG-MAV
AC Input Voltage	100-240VAC, 50-60Hz			100-240VAC, 50-60Hz 200-240VAC, 50-60Hz (for China only)
AC Input Current	10-6A			15-8A 8A (for China only)

DC Output

	Rated	Combined	Rated	Combined	Rated	Combined	Rated	Combined
+3.3V	20A	100W	20A	100W	20A	100W	20A	100W
+5V	20A		20A		20A		20A	
+12V	54.1A	649.2W	62.4A	748.8W	70.8A	849.6W	83.3A	999.6W
-12V	0.4A	4.8W	0.4A	4.8W	0.4A	4.8W	0.4A	4.8W
+5Vsb	2.5A	12.5W	2.5A	12.5W	2.5A	12.5W	3.0A	15W
Total power	650W		750W		850W		1000W	

Dimensions

140(D) x 150(W) x 86(H) mm



Barcode

Model	EAN	UPC
ERV650G-AHG-MAC	4713157728845	819315028841
ERV650G-AHG-MAV	4713157728852	819315028858
ERV750G-AHG-MAC	4713157728869	819315028865
ERV750G-AHG-MAV	4713157728876	819315028872
ERV850G-AHG-MAC	4713157728883	819315028889
ERV850G-AHG-MAV	4713157728890	819315028896
ERV1000G-AHG-MAC	4713157728906	819315028902
ERV1000G-AHG-MAV	4713157728913	819315028919

Logistic Information

Model	ERV650G-AHG-MAC ERV650G-AHG-MAV	ERV750G-AHG-MAC ERV750G-AHG-MAV	ERV850G-AHG-MAC ERV850G-AHG-MAV	ERV1000G-AHG-MAC ERV1000G-AHG-MAV
Box Dimension	310 x 190 x 110 mm			
Gross Weight / Unit	1.5	1.6	1.6	2.0
Carton Dimension	640 x 460 x 220 mm			
Q'ty / Carton	8 pcs			
Gross Weight / Carton	19	20	20.2	22.8